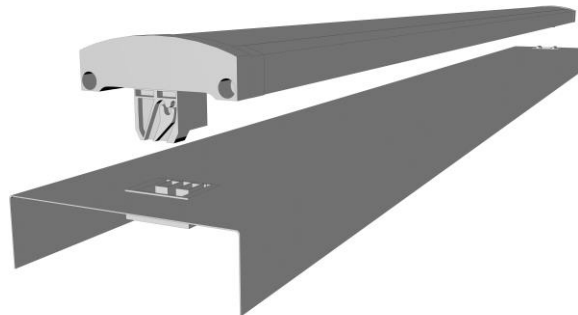


# Press Release

## Zhaga's Book 14 published as IEC standard

*Piscataway, NJ, USA (23 Oct 2023) - Zhaga, the global lighting-industry organisation, is proud to announce that Zhaga's Book 14 has been officially designated as IEC Standard 63356-1. The Zhaga Consortium actively collaborates with global and regional standards development organizations, as well as national lighting entities, to promote the widespread adoption of Zhaga specifications. The Zhaga Consortium has the purpose to enable new markets for connected and serviceable lighting through interoperability.*



### **Innovative LED Lighting Solutions**

Book 14 introduces a pioneering family of flat, linear, socketable LED light sources, perfectly suited for low-profile linear lighting applications. The current edition encompasses both LED modules (requiring a separate driver) and LED light engines (LLEs) featuring an integrated control gear.

### **Tool-less Maintenance and Sustainability**

One of the standout features of Book 14 is the innovative cap/holder system, which facilitates effortless tool-less replacement of LED light sources. One end of the LED light source boasts a contact cap, seamlessly fitting into the corresponding contact holder in the luminaire, while the other end is equipped with a support cap and support holder. This user-friendly design enhances maintenance convenience while promoting sustainability.

### **Applications Beyond Boundaries**

Book 14's LED light sources are designed for versatile applications, including use in free air (without the need for luminaire body enclosures).



Zhaga Consortium  
445 Hoes Lane, Piscataway,  
NJ 08854 USA  
[www.zhagastandard.org](http://www.zhagastandard.org)

## About Zhaga

Zhaga is a global association of lighting industry members. Zhaga standardizes interface specifications for LED luminaire components, including LED light engines, LED modules, LED arrays, holders, electronic control gear (LED drivers), connectors, sensor and/or wireless communication modules and associated devices. The Zhaga interface standards enable multi-vendor ecosystem of interoperable products. To create trust in the interoperability of products from multiple vendors Zhaga has a certification and logo-program executed by third party test houses. Through its focus on interoperability, Zhaga contributes to circularity lighting via smart, connected lighting and serviceable luminaires, supporting the UN Sustainable Development Goal 11 for sustainable cities and communities. Zhaga has set up a partner and liaison program, working with recognized Standards Development Organizations and Alliances to maximize synergies, leverage external expertise and global acceptance.

For more information about Zhaga and Book 14, please visit [www.zhagastandard.org](http://www.zhagastandard.org).

Media contact: Axel Baschnagel, Marketing Communications, [marcom@zhagastandard.org](mailto:marcom@zhagastandard.org)